



USG Boral Gypsum Board Ceiling Tiles

8mm Press Engraved Ceiling Tiles Submittal Sheet

USG Boral 8mm Press Engraved is a slim and lightweight ceiling tile specially designed for easy application and aesthetic feature. The well embossed surface is finished with special paint to provide good light reflectance.

USG BORAL
INNOVATION INSPIRED BY YOU.™

USGBoral.com

Plasterboard

Ceilings

Interior Finishes

Metal Framing

Substrates

USG Boral Press Engraved 8mm Ceiling Tiles

Submittal Sheet

Features and Benefits

- Lightweight
- Easy application
- Painted finish
- Good light reflectance – surface is finished with special paint
- Economical – slim and require no further painting which reduces transportation and logistics cost.

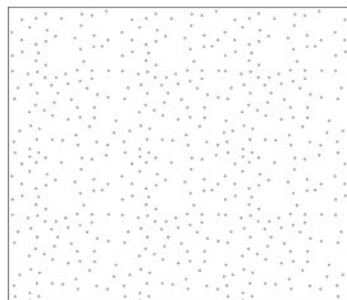
Application

- Retail Shops
- Departmental Stores
- Office / Conference Rooms
- Corridors
- Schools
- Living room / Bedroom

Texture Options



- Byhua



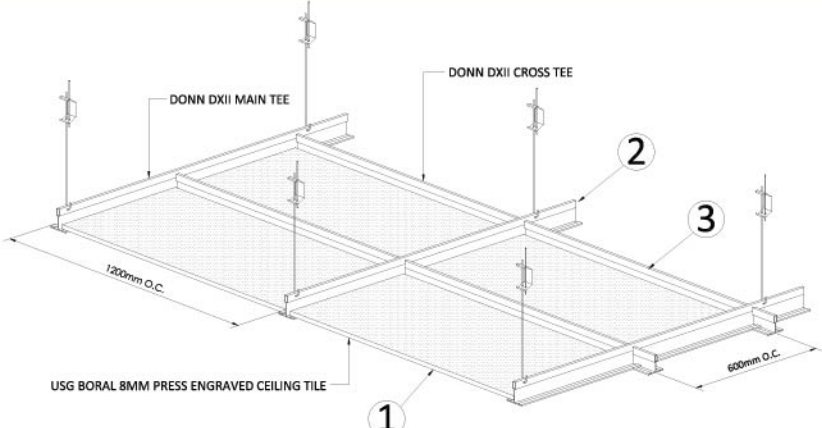
- Minitone

Product Information

Panel Dimension Options

Thickness	Metric (mm)	8.0mm
Edge Details:	Square Edge	
T-Bar Grid Size:	Metric	600mm x 600mm 600mm x 1200mm
	Imperial	610mm x 610mm (2'x2') 610mm x 1220mm (2'x4')
Board Size:	Metric	595mm x 595mm 595mm x 1195mm
	Imperial	603mm x 603mm 603mm x 1212mm

Suspension System Components

Suspension System Detail	Number	Item Number	Description
	1	P1-PANEL	Ceiling panel
	2	P-24-1	24mm Main runner (3.6m)
	3	P-24-2	24mm Main runner (1.2m)
	4	P-24-3	24mm Main runner (0.6m)

Protective Backing

Upon request, USG Boral 8mm Press Engraved Ceiling Tiles can be provided with special backing on the reverse side.



Aluminium Foil Backing

- used in area of high temperature



PVC Backing

- designed for high humidity area to prevent sagging. It acts as a barrier against moisture.

Australia
China
India
Indonesia
Malaysia
Middle East
New Zealand
Philippines
Singapore
South Korea
Thailand
Vietnam

USG BORAL SINGAPORE

8 Boon Lay Way #02-06 TradeHub 21 Singapore 609964

Tel: (65) 6272 9272 Fax: (65) 6278 5310

Email: contact-us.sg@usgboral.com

USGBoral.com

